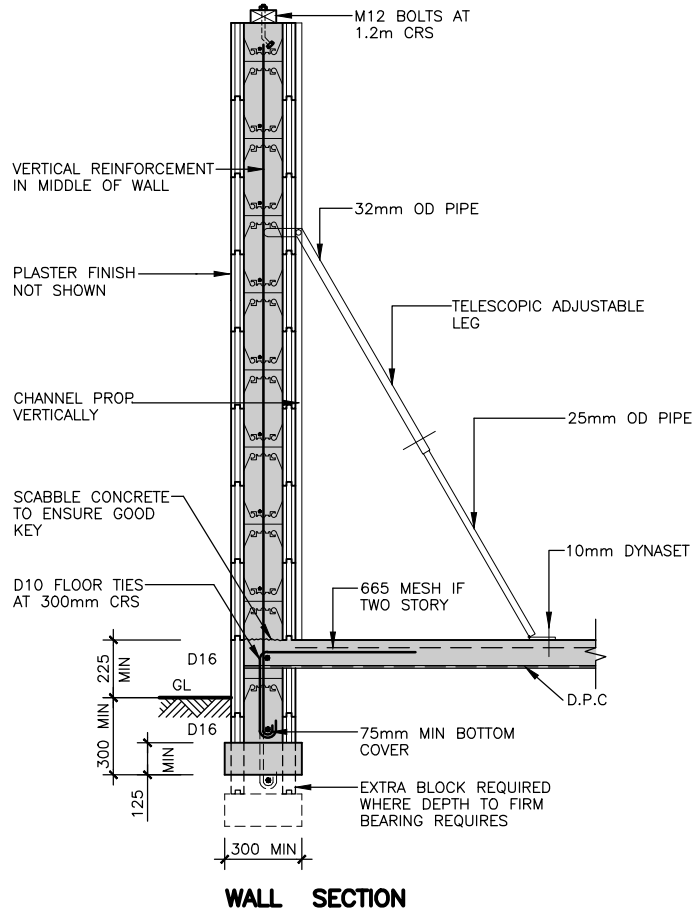
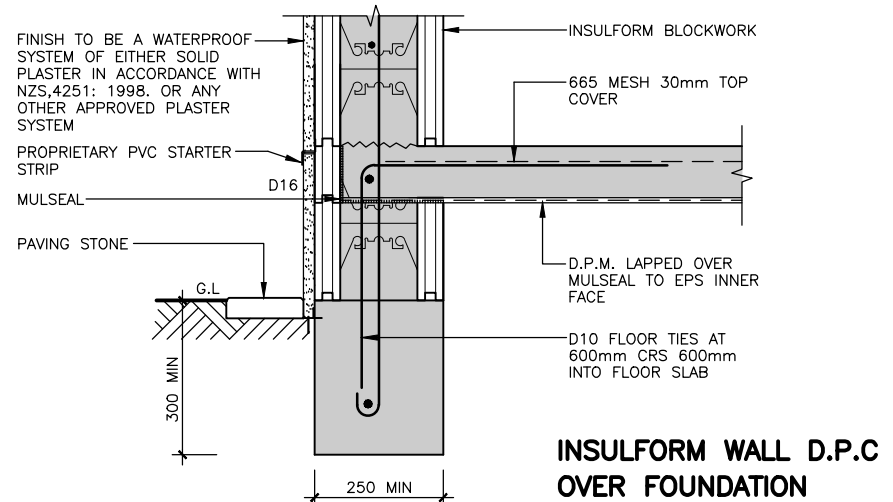
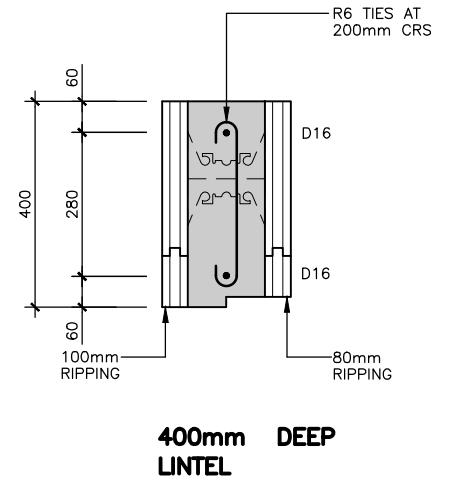
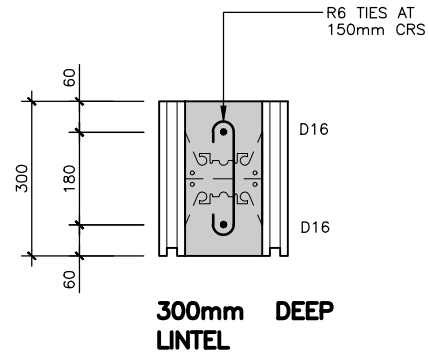


BOTH SPECIFIC AND NON-SPECIFIC DESIGN INFORMATION IS GIVEN

CONCRETE THICKNESS	VERTICAL REINFORCEMENT	HORIZONTAL REINFORCEMENT
100mm	D10 BARS AT 300mm CRS	D10 BARS AT 300mm CRS
150mm	H12 BARS AT 450mm CRS	H10 BARS AT 300mm CRS



NOTE:  
ALL DETAILS SHOW THE MINIMUM REQUIREMENTS FOR NON-SPECIFIC DESIGN (SEE MANUFACTURERS DESIGN INFORMATION FOR SCOPE OF NON SPECIFIC DESIGNS). SPECIFIC DESIGNS MAY REQUIRE DIFFERENT REINFORCEMENT, AND OTHER STRUCTURAL CHANGES.



F	14-4-09	METAL BRIDGE CHANGED TO THERMOPLASTIC BRIDGE	W.L	CGF			
DATE	DESCRIPTION		ENG	DRN	EN.CK	DN.CK	APP.

© 2009 FILE:[PG48\_3\_revF] 14-APRIL-2009 >VERSION 6<



**INSULFORM NZ**

CHRISTCHURCH, NZ.

E.P.S. THERMOPLASTIC BRIDGE BLOCK  
CONTINUOUS REINFORCED CONCRETE  
WALL SYSTEMS. PAT.NO.247577

Phone:  
384 3804

Fax:  
384 0009

**STRUCTURAL ENGINEERS**

Y.Y. LEWIS & BARROW LTD  
PH 366 4320 CHRISTCHURCH

**TYPICAL WALL SECTION INCL.  
FOUNDATION AND LINTELS**

ENG	W.L.	FILE	DRAWING
DRN	B.T	6157	3
CHK	W.L.		
DATE	5/94		