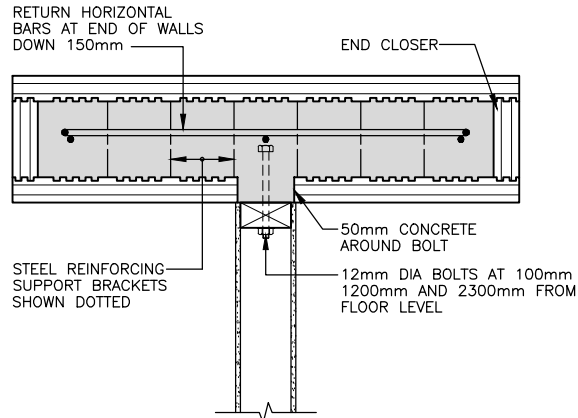
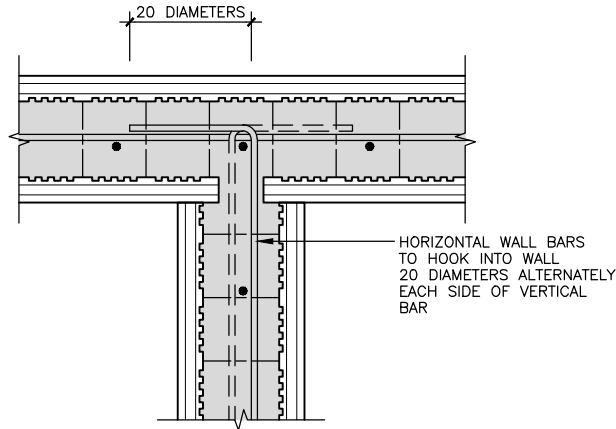


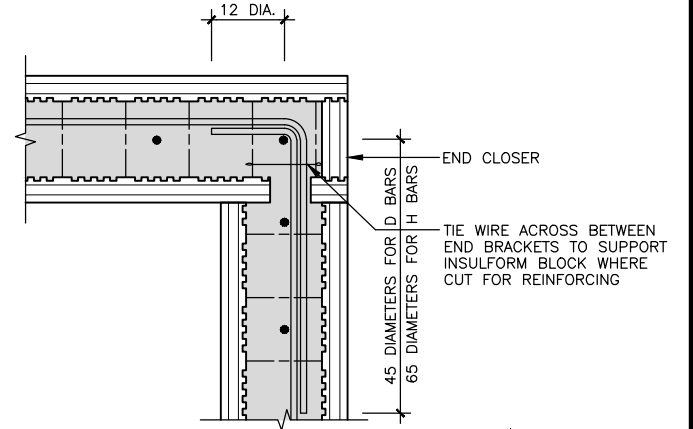
**BOTH SPECIFIC AND NON-SPECIFIC DESIGN DETAILS**



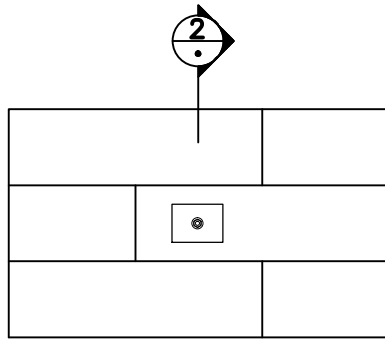
**TIMBER WALL/INSULFORM WALL JUNCTION**



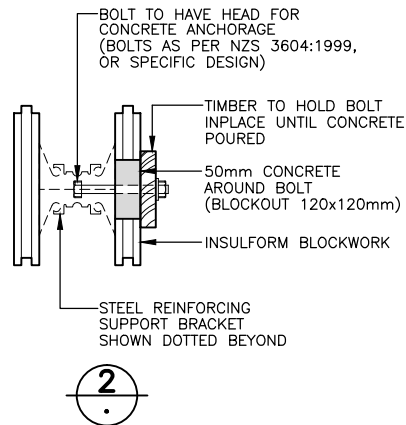
**WALL JUNCTIONS**



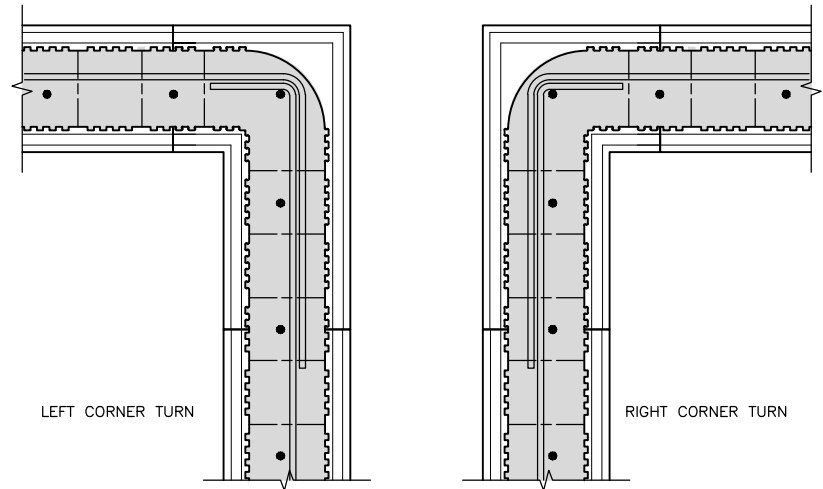
**CORNERS (WITH END CLOSERS)**



**WALL ELEVATION**



**BOLTS CAST INTO WALL**



**CORNERS (USING CORNER BLOCKS)**

E	14/4/09	METAL BRIDGE CHANGED TO THERMOPLASTIC BRIDGE	W.L	CGF			
D	28-1-00	CHANGES AS PER BRANZ RECOMMENDATIONS	W.L	WWR			
	DATE	DESCRIPTION	ENG	DRN	EN.CK	DN.CK	APP.

© 2009 FILE:[PG53\_5\_revE] 14-APRIL-2009 >VERSION 6<



**INSULFORM NZ**  
CHRISTCHURCH, NZ.  
E.P.S. THERMOPLASTIC BRIDGE BLOCK  
CONTINUOUS REINFORCED CONCRETE  
WALL SYSTEMS. PAT.NO.247577

Phone: 384 3804  
Fax: 384 0009

**STRUCTURAL ENGINEERS**  
YY LEWIS & BARROW LTD  
PH 366 4320 CHRISTCHURCH

**CONSTRUCTION DETAILS**

ENG	W.L.	FILE	DRAWING
DRN	B.T	<b>6157</b>	<b>5</b> (E)
CHK	W.L.		
DATE	5/94		