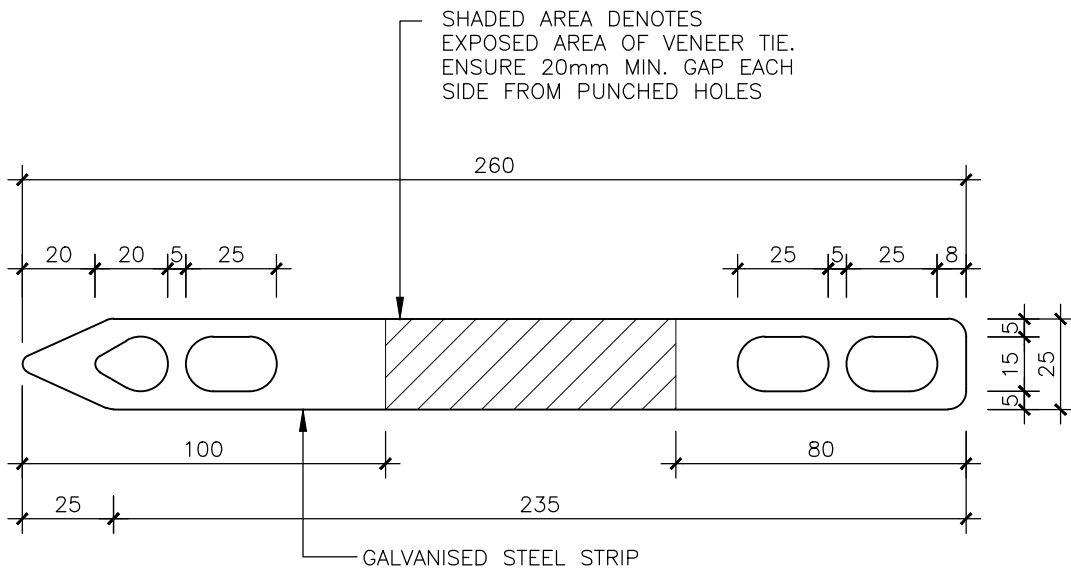


### TYPICAL WALL SECTION



### VENEER TIE PLAN

FOR MASONRY WORK  
NOTES:

260x25mm HOT DIP GALV (0.0155mm THICK TO SPECIFICATION G2502275 OR JISG3302 SGCC-CQ) WITH PUNCHED HOLES AS SHOWN EMBEDDED A MINIMUM OF 100mm INTO THE POLYSTYRENE FORMED CONCRETE WALL AND EMBEDDED A MINIMUM OF 80mm INTO THE MORTAR OR CONCRETE OF THE VENEER. TIE SPACINGS AS PER N.Z.S.4230. THIS IS A TYPICAL SPECIFIC DESIGN DETAIL THAT MUST BE CHECKED, MODIFIED AND APPROVED BY A REGISTERED ENGINEER BEFORE BEING USED.

SHT 9c

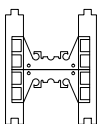
STRUCTURAL ENGINEERS

Y LEWIS & BARROW LTD

PH 366 4320 CHRISTCHURCH

© 2009 FILE:[PG63\_9c\_revA] 14-APRIL-2009

>VERSION 6<



**INSULFORM NZ**  
CHRISTCHURCH, NZ.

E.P.S. THERMOPLASTIC BRIDGE BLOCK  
CONTINUOUS REINFORCED CONCRETE  
WALL SYSTEMS. PAT.NO.247577

Phone:  
384 3804

Fax:  
384 0009

VENEER TIES FOR  
SCHIST STONE WORK