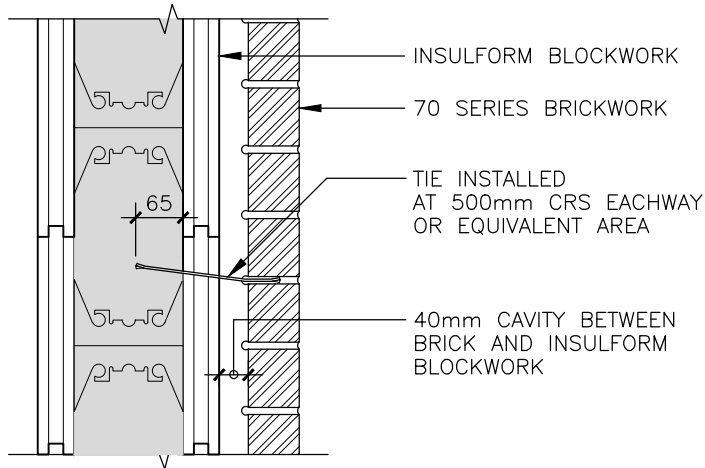
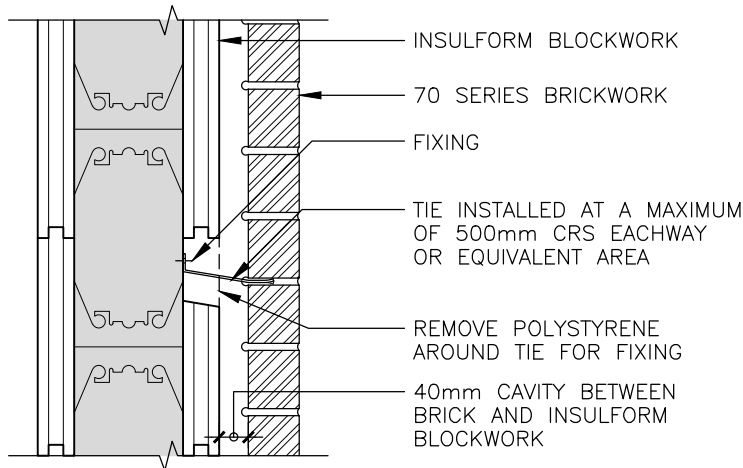


THESE DETAILS APPLY TO NON-SPECIFIC DESIGN.



FISHTAIL VENEER  
TIE INSTALLATION

SCALE 1:10



BOLTED VENEER  
TIE INSTALLATION

SCALE 1:10

NOTE :

THE INFORMATION SHOWN ON THIS SHEET SHALL BE ONLY USED FOR 70mm BRICKWORK UP TO 5.5m MAXIMUM IN HEIGHT. ANY BRICKWORK HIGHER THAN 5.5m SHALL BE SPECIFICLY DESIGNED.  
TIES SHALL MEET THE RELEVANT PERFORMANCE REQUIREMENTS OF THE NZBC.

6157 / 9a

14 APRIL 2009

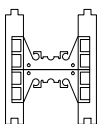
STRUCTURAL ENGINEERS

Y LEWIS & BARROW LTD

PH 366 4320 CHRISTCHURCH

© 2009 FILE:[PG61\_9a] 14-APRIL-2009

>VERSION 6<



**INSULFORM NZ**  
CHRISTCHURCH, NZ.

E.P.S. THERMOPLASTIC BRIDGE BLOCK  
CONTINUOUS REINFORCED CONCRETE  
WALL SYSTEMS. PAT.NO.247577

Phone:  
384 3804

Fax:  
384 0009

**BRICKWORK VENEER TIE  
INSULFORM BLOCKWORK**