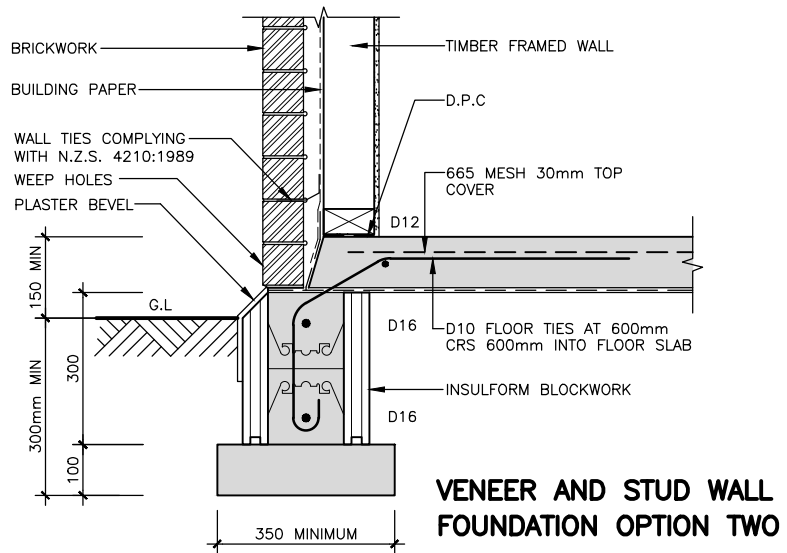
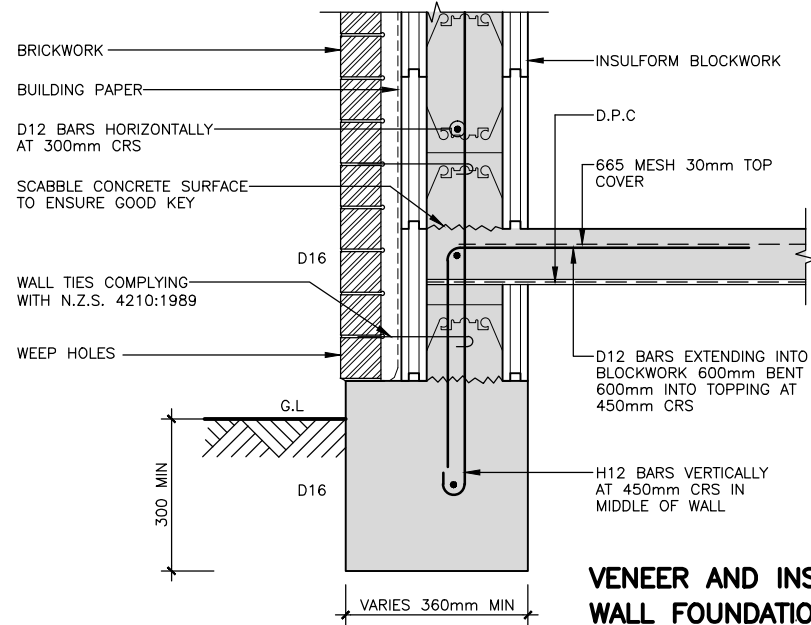


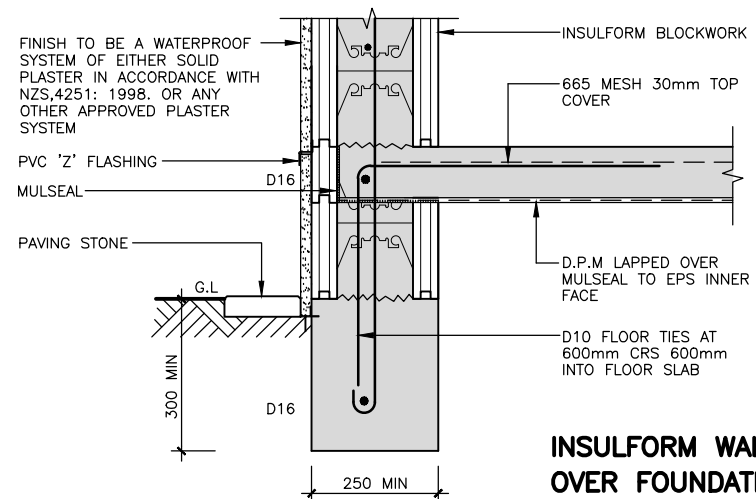
**VENEER AND STUD WALL  
FOUNDATION OPTION ONE**



**VENEER AND STUD WALL  
FOUNDATION OPTION TWO**



**VENEER AND INSULFORM  
WALL FOUNDATION**



**INSULFORM WALL D.P.C.  
OVER FOUNDATION**

NOTE: REINFORCEMENT SHOWN IS THE MINIMUM THAT COULD BE REQUIRED. ADDITIONAL STEEL WILL USUALLY BE REQUIRED. THE FINAL STRUCTURAL DESIGN MUST BE CHECKED BY A REGISTERED ENGINEER.

D	14-4-09	METAL BRIDGE CHANGED TO THERMOPLASTIC BRIDGE	W.L.	CGF			
	DATE	DESCRIPTION	ENG	DRN	EN.CK	DN.CK	APP.

© 2009 FILE:[PG44\_1\_revD] - 14-APRIL-2009 >VERSION 6<

**INSULFORM NZ**  
CHRISTCHURCH, NZ.  
E.P.S. THERMOPLASTIC BRIDGE BLOCK  
CONTINUOUS REINFORCED CONCRETE  
WALL SYSTEMS. PAT.NO.247577

Phone: 384 3804  
Fax: 384 0009

**STRUCTURAL ENGINEERS**  
Y LEWIS & BARROW LTD  
PH 366 4320 CHRISTCHURCH

**BRICKWORK  
FOUNDATION DETAILS**

ENG	W.L.	FILE	DRAWING
DRN	B.T	6157	1
CHK	W.L.		
DATE	5/94		